

Datasheet P-8x2CI

Industrial Process Pressure Controllers for Gases



IN-PRESS P-812CI Industrial Process Pressure Controller

> Introduction

Bronkhorst® IN-PRESS™ P-8x2CI Industrial Process Pressure Controllers (IPPC) are designed to pressurise and depressurise a volume (system or device) with one single instrument. The instrument includes a diaphragm type piezoresistive pressure sensor for pressure measurement and two direct acting, solenoid control valves. The IN-PRESS IPPC can be applied to accurately control process pressures up to 200 bar. The instrument can be operated in analog mode or digitally via RS232 or fieldbus.

> Technical specifications

Measurement / control system

Accuracy (incl. linearity and hysteresis)	: ± 0,5% of Full Scale (FS)
Pressure control rangeability	: 1 : 20 with flow range 1 : 50
Repeatability	: ≤ 0,25% RD
Response time sensor	: 2 msec
Max. Kv-value	: $1,56 \times 10^{-3}$
Max. pressure difference (ΔP)	: P-802CI: 64 bar (d) P-812CI: 100 bar (d) P-822CI: 200 bar (d)
Max. flow	: approx. 20 l _r /min N ₂
Control stability	: ≤ ± 0,1% FS (typical for 100 ml _r /min N ₂ at specified process volume)
Temperature range	: -10...+70°C
Temperature sensitivity	: < ± 0,1% FS/°C
Leak integrity (outboard)	: tested < 2×10^{-9} mbar l/s He
Attitude sensitivity (at 90° change)	: < 0,3 mbar
Warm-up time	: negligible

Calibration

References verified by an ISO 17025 calibration laboratory, directly traceable to Dutch and international standards.

Mechanical Parts

Material (wetted parts)	: stainless steel 316L or comparable
Process connections	: compression type or face seal couplings
Seals 64/100 bar version	: static and plungers: Viton® / EPDM / Kalrez®
Seals 200 bar version	: static: Viton®, plungers: FKM
Ingress protection (housing)	: IP65

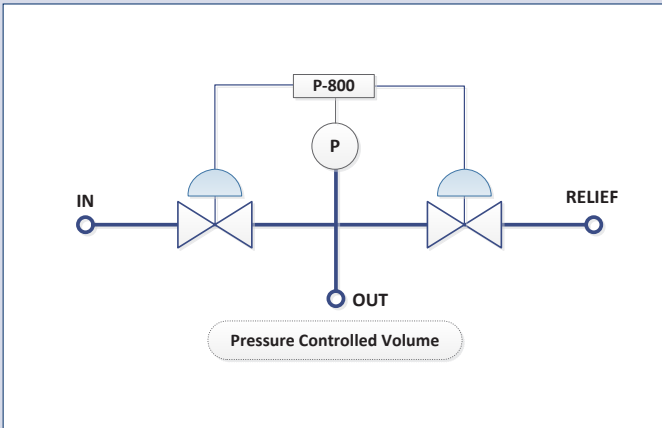
Electrical properties

Power supply	: +15...24 Vdc ±10%
Power consumption (based on N/C valve)	: Supply at voltage I/O at current I/O 15 V 290 mA 320 mA 24 V 200 mA 215 mA
Extra for fieldbus: (if applicable)	: PROFIBUS DP : add 53 mA (15 V supply) or 30 mA (24 V supply) DeviceNet™ : add 48 mA (24 V supply)
Analog output (0...100%)	: 0...5 (10) Vdc, min. load impedance > 2 kΩ; 0 (4)...20 mA (sourcing), max. load impedance < 375 Ω
Analog setpoint (0...100%)	: 0...5 (10) Vdc, min. load impedance > 100 kΩ; 0 (4)...20 mA, load impedance ~250 Ω
Digital communication	: standard RS232; options: PROFIBUS DP, DeviceNet™, Modbus RTU/ASCII, FLOW-BUS

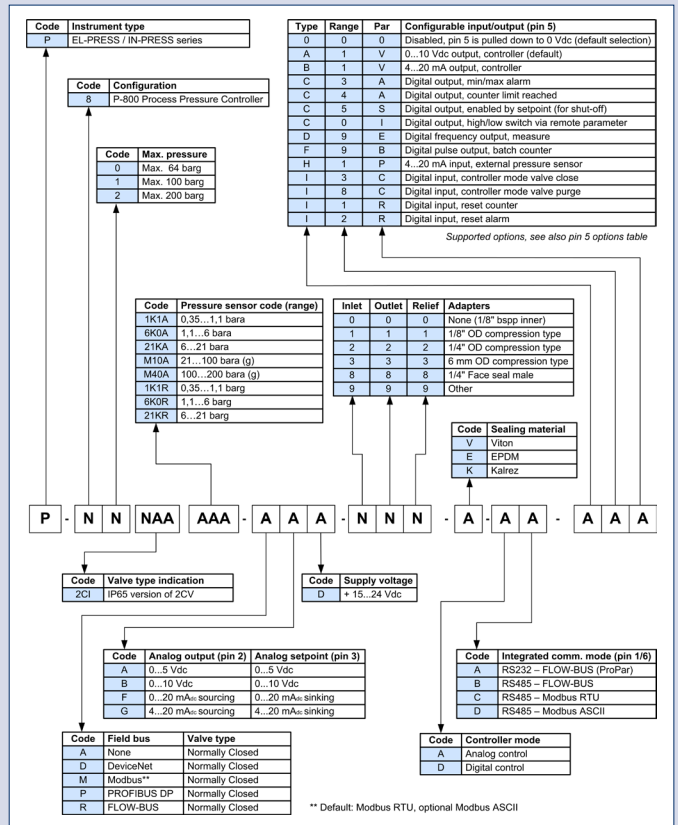
Although all specifications in this datasheet are believed to be accurate, the right is reserved to make changes without notice or obligation.

> Principle of operation

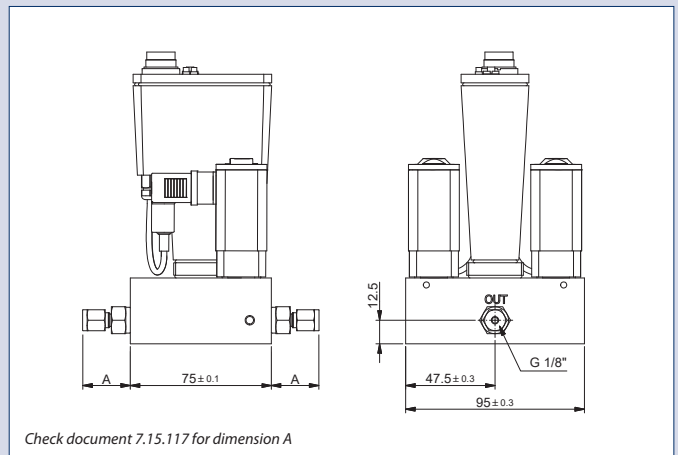
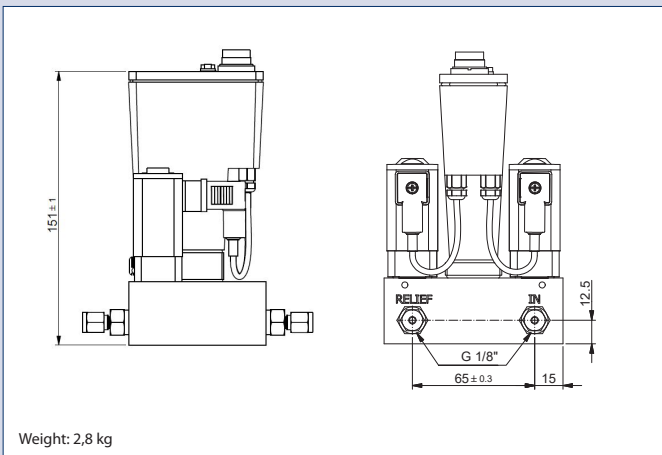
The Process Pressure Controller consists of a piezo-resistive pressure sensor and two direct acting, solenoid control valves. The instrument has a gas inlet for pressurisation, a pressure relief outlet and a system outlet. While pressurizing the system - this will normally be a static volume - the pressure sensor and the inlet valve operate as a forward pressure controller and the relief valve remains shut. When the system requires depressurisation, the inlet valve is shut and the pressure sensor in combination with the relief valve will act as back pressure controller. This dual valve construction is a compact, economical alternative to configurations where forward pressure controllers are combined with separate bleed ports and relief valves. It is considered as a great advantage that the relief valve does not vent to the atmosphere. Furthermore the system can be set for either fast or smooth controlled (de)pressurization.



> Model number identification



> Dimensions (mm) and weight (kg)



> Related products

P-8x2CV laboratory style Process Pressure Controller (PPC)
IP40 ingress protection (housing)

